

# Welded Starters – Typical support for Electrical, Instrumentation & HVAC

Type states length and recommended channel

Used with Mekano Channel Type S-M CH50-1

Type	T mm	Weight kg	Art. no. CS**	Art. no. SS
S-M WB-125-CH50-1*	6	0,2	1302511	1371695
S-M WB-200-CH50-1	6	0,3	1302512	1371696

\*) Welding Brackets L = 125 mm ordinary not in stock  
\*\*) CS steel quality: S235JR

Used with Mekano Channel Type S-M CH100-2T2 S-M CH100-2T3

Type	T mm	Weight kg	Art. no. CS*	Art. no. SS
S-M WB-200-CH100-2	5	1.5	88619	88618
S-M WB-300-CH100-2	5	2.3	70169	70168

\*) CS steel quality: S355J2-Y05

Type	T mm	Weight kg	Art. no. CS*	Art. no. SS
S-M WB-125-CH100-1*	6	0.5	1302507	1371691
S-M WB-200-CH100-1	6	0.8	1302508	1371692
S-M WB-300-CH100-1	6	1.2	1302509	1371693

Used with Mekano Channel Type S-M CH100-1 S-M CH100-2T

	100-1		100-2T
--	-------	--	--------

\*) CS steel quality: S355J2-Y05

Type	T mm	Weight kg	Art. no. CS*	Art. no. SS
S-M WB-CH100-3	4	1.3	1372516	1372517
S-M WB-ST-CH100-3	4	1.1	1372514	1372515

Used with Mekano Channel Type S-M CH100-3

	100-3
--	-------

\*) CS steel quality: S355MC

# Welded Starters – Typical for Piping & heavy loads

Type states length and recommended channel

Type	T mm	Weight kg	Art. no. CS*	Art. no. SS
S-M WB-125-CH50-2	6	0.6	82210	82211
S-M WB-200-CH50-2	6	1.0	1302514	1371698
S-M WB-300-CH50-2	6	1.5	1302599	1371699
S-M WB-ST-200-CH50-2	6	0.9	84287	84283

Used with Mekano  
Channel Type  
S-M CH50-2  
S-M CH60-2  
S-M CH50-2T

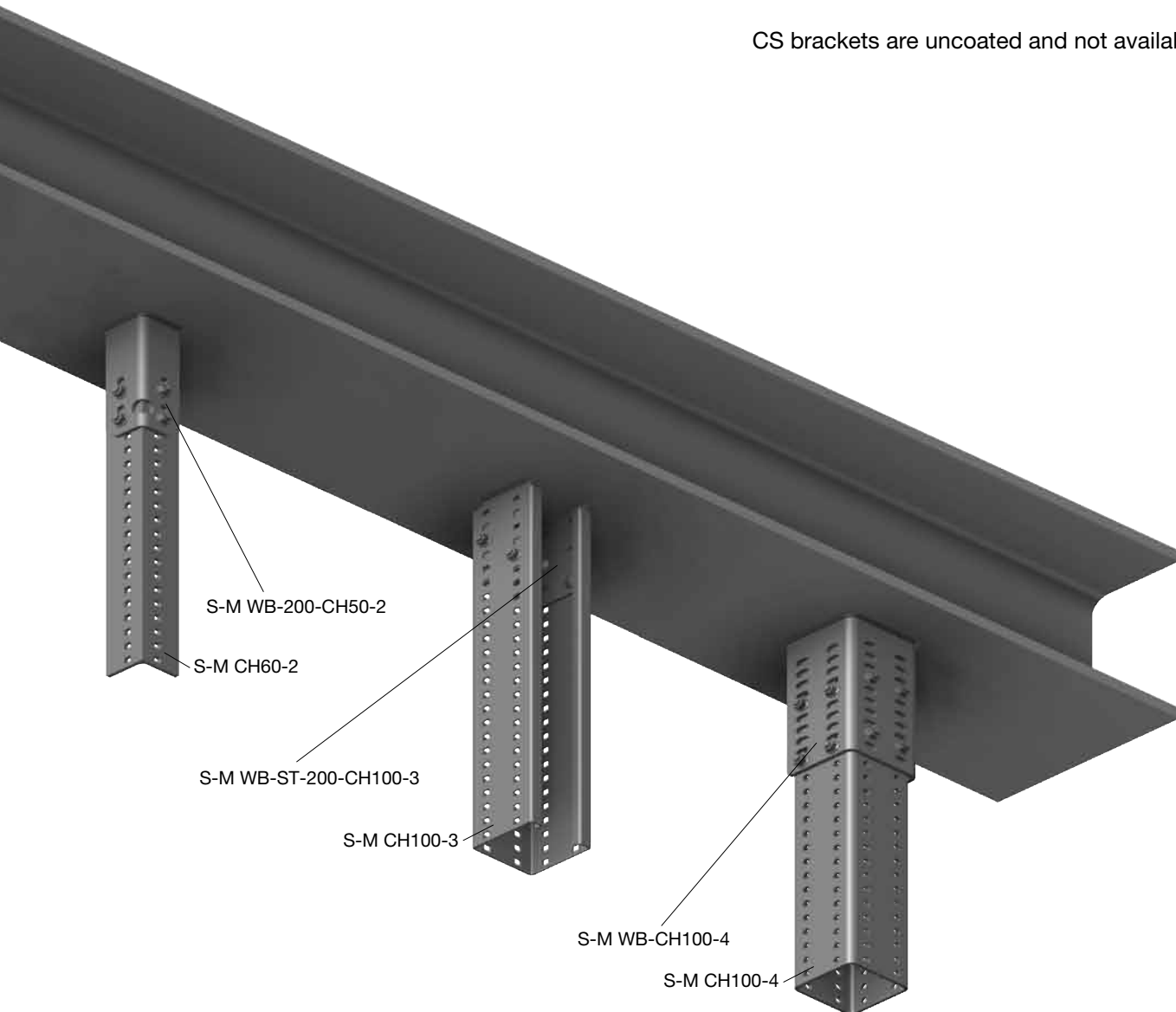
\*) CS steel quality: S355J2-Y05

Type	T mm	Weight kg	Art. no. CS	Art. no. SS
S-M WB-CH100-4	6	3	1372606	1372601
S-M WB-PL-CH100-4	6	5.5	N/A	1372552
S-M WB-FP-CH100-4	6	12	N/A	1372602

Used with Mekano  
Channel Type  
S-M CH100-4

\*) CS steel quality: S355J2-Y05

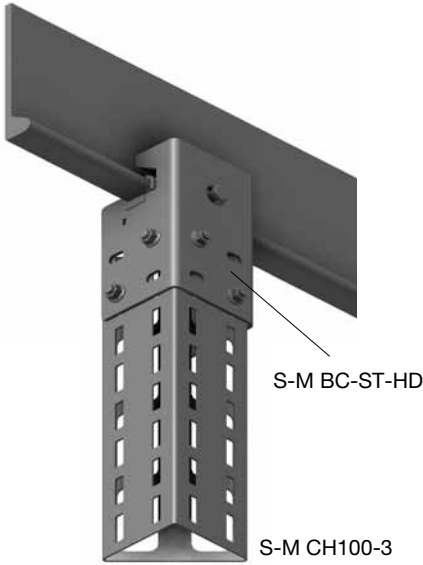
CS brackets are uncoated and not available in HDG.



# Bolted Starters – Typical support for Electrical, Instrument & HVAC

Type states recommended channel

**Bolted solutions for concrete, see page 77.**



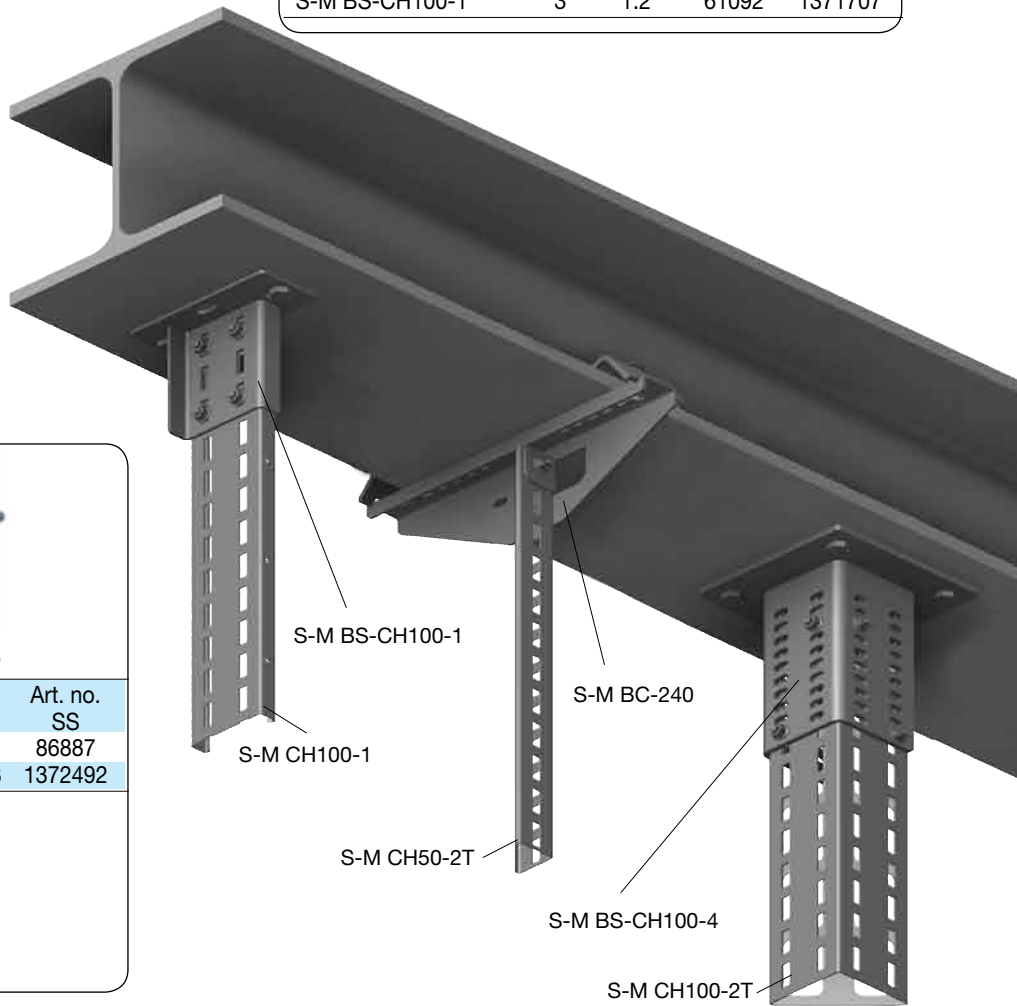
Used with Mekano Channel Type  
S-M CH100-1  
S-M CH100-2T

Type	T mm	Weight kg	Art. # HDG	Art. no. SS
S-M BS-CH100-1	3	1.2	61092	1371707

M12 bolts

Type	T mm	Weight kg	Art. # HDG	Art. no. SS
S-M BC-ST-HD	4	2,4	N/A	86887
S-M BS-CH100-3	4	3,6	1372493	1372492

Used with Mekano Channel Type  
S-M CH100-3  
S-M CH100-4



See page 68 for further details

Type	T mm	Weight kg	Art. no. HDG	Art. no. SS
S-M BC-FC	4	0.37	85196	85197
S-M BC-160	3	1.16	85621	85622
S-M BC-300	3	1.7	85623	85624

Used with Mekano Channel Type  
S-M CH50-1  
S-M CH50-2  
S-M CH50-2T1,5  
S-M CH50-2T2

M12 bolts

Type	T mm	Weight kg	Art. # HDG*	Art. no. SS
S-M BS-CH100-4-C	6	4.5	1372522	1372523
S-M BS-CH100-4-B	6	4.9	1372554	1372555
S-M BS-CH100-4	6	5.5	1372603	1372550

Used with Mekano Channel Type  
S-M CH100-4

\*) CS steel quality: S355J2-Y05

# Bolted Starters – Typical for Piping & heavy loads

Type states recommended channel

**S-M BS-CH60-2**

Type	T mm	Weight	Art. # HDG	Art. no. SS
S-M BS-CH60-2	4	2.5	1371424	1371423

Used with Mekano Channel Type

- S-M CH60-2
- S-M CH50-2T1.5
- S-M CH50-2T2
- S-M CH100-2T3
- S-M CH100-2T3

60-2 50-2T 100-2T

**S-M BC-CH100-3**

**S-M BT-CH100-3**

**S-M MG-CA**

See page 68 for further details

Type	T mm	Weight	Art. no. HDG	Art. no. SS
S-M BC-CH100-3	4	3	1372490	1372491
S-M BT-CH100-3	4	3.5	1372494	1372495
S-M MG-CA	3		80926	1372497

Used with Mekano Channel Type

- S-M CH100-2T2
- S-M CH100-2T3
- S-M CH100-3

100-2T2 100-2T3 100-3

**S-M BC-MS-CH100-4**

(See Page 63 for details.)  
Fit-range HE240-1000A/B

Type	T mm	Weight kg	Art. # HDG	Art. no. SS
S-M BC-MS-CH100-4	5	16	1372519	1372520

Used with Mekano Channel Type

- S-M CH100-4

100-4

