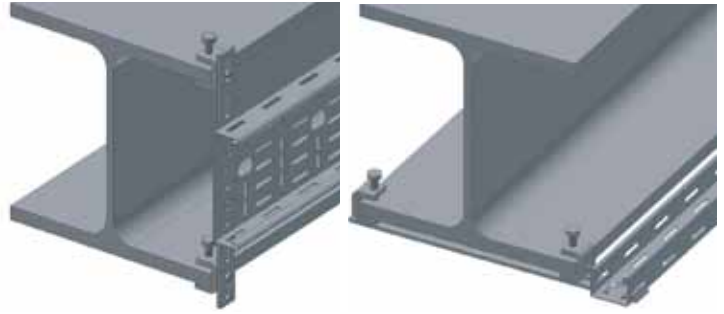


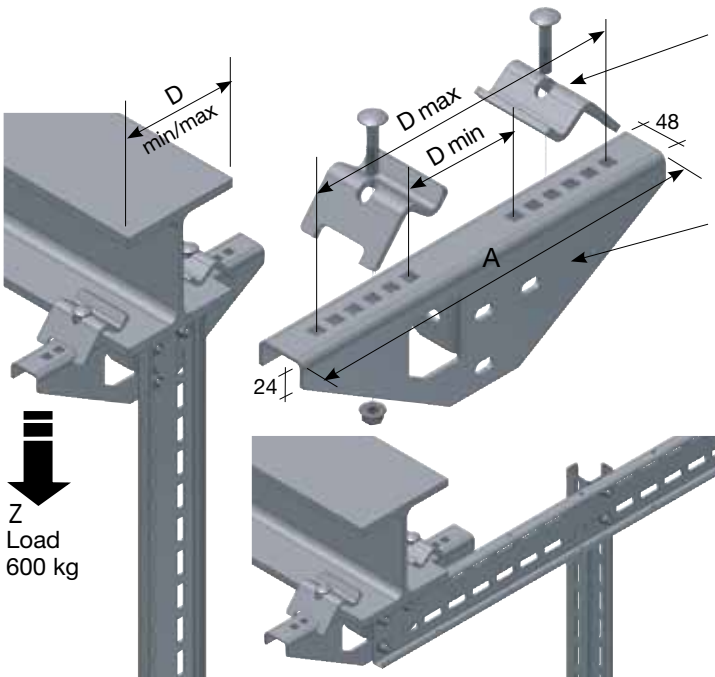
For various tasks and for combination with channels



Beam Clamp Tapered M10 screw included

Type	SS Art. no.	Max load (kg)	Weight SS (kg)
S-M BC-U-25/6	1371801	350	
S-M BC-U-25/10	1371802	350	
S-M BC-U-35/10	1371803	350	

Pressure Plate (sleeve) on request.
Type: S-M BC-U-PP Art. no. 1371804



Press Clamp for Beam Clamp
Supplied in pairs.

Type	Materialtykkelse Material thickness	HDG Art. no.	SS Art. no.
S-M BC-FC	4 mm	85196	85197

Beam Clamp
Maks. belastning / Max. load weight = 800 kg.

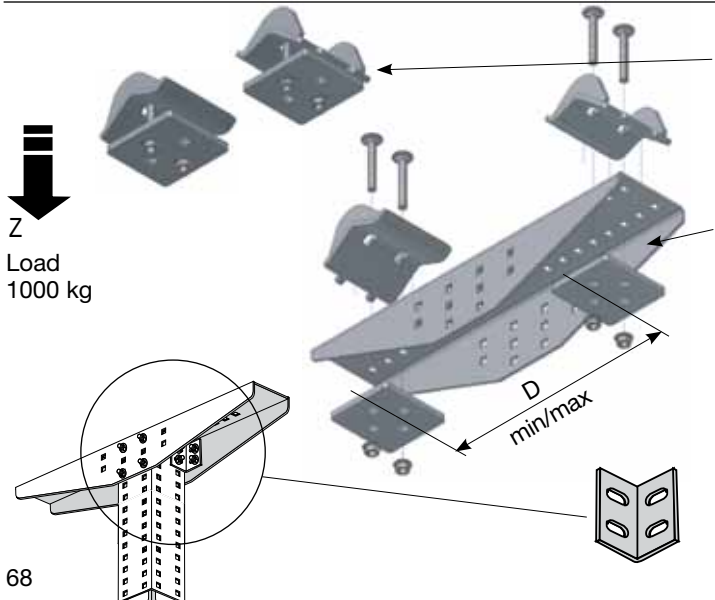
Type	A mm	For D min/max mm	HDG Art. no.	SS Art. no.
S-M BC-160	260	88 - 160	85621	85622
S-M BC-300	390	102 - 300	85623	85624



Beam Clamp for Stringer

Type	HDG Art. no.	SS Art. no.	Max Load (kg)
S-M BC-ST-HD	86889	86877	350

Pressure Plate (sleeve) on request.
Type: S-M BC-U-PP Art. no. 1371804



Beam Clamp for Beam Traverse

Type	HDG Art. no.	SS Art. no.
S-M BC-CH100-3	1372490	1372491

Beam Traverse

Type	For D min/max mm	HDG Art. no.	SS Art. no.	Max Load (kg)
S-M BT-CH100-3	100 - 350	1372494	1372495	1000

Channel Angle For directional adjustment (t = 3mm)

Type	Art. no.	HDG Art. no.	SS Load (kg)	Max
S-M MG-CA		80926	1372497	1000